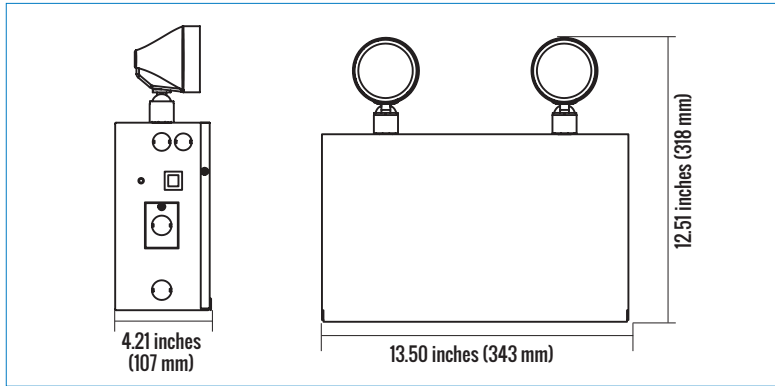


PRODUCT CODE: ER3140D-WHM-A13-BB-10RC

LED METAL EMERGENCY BATTERY UNIT WITH DUAL HEADS



HOUSING/MOUNTING

The new Etlin-Daniels ER3140D-WHM-A13-BB-10RC LED Battery Combo Emergency Unit is constructed with a durable steel housing and thermoplastic 2 x 5W heads. This compact design has a back spider pattern knockout configuration to facilitate wall mounting. 2 fully adjustable heads provide bright and directional emergency illumination. The internal battery can drive up to 130W of remote heads at 12VDC.

FEATURES

- Emergency Battery Unit with Combo LED Heads.
- May power up to 130W remote heads at 12VDC.
- Durable steel housing with Thermoplastic 5W LED Combo Heads.
- 120V and 347V dual input operation.
- AC operation with DC battery back-up.
- Push button test switch.
- Diagnostic / Pilot LED for AC on.
- High performance battery provides for up to 120MIN of emergency back-up.
- 35 hour recharge required after 120MIN discharge.
- Suitable for damp locations.
- UL Listed
- 3 years limited warranty.

WATTAGE CAPACITY

VOLTAGE	30 min	60 min	90 min	120 min
12V	140W	70W	46W	35W

PRODUCT SPECIFICATIONS (OPTICAL & ELECTRICAL DATA)

LED TYPE	LED QTY	VOLTAGE	LOW VOLTAGE	BACK UP TIME	POWER FREQUENCY	REMOTE CAPACITY	POWER FACTOR
SMD 5054	14 CHIPS	120V/347VAC	12VDC OP	120 MIN.	50/60HZ	130W	120V - .90 347V - .90

PRODUCT SPECIFICATIONS

WATTAGE	FIXTURE MATERIAL	LIFE SPAN	STORAGE TEMP	OPERATING TEMP	PRODUCT DIMENSIONS	CARTON SIZE
14W-120V 16W-347V	METAL STEEL	>50,000 HOURS	-10°C--40°C +14°F--104°F	-15°C--35°C +59°F--95°F	13.60 X 12.51 X 14.21 INCHES (343 X 318 X 107 MM)	14.37 X 14.76 X 10.24 INCHES (365 X 375 X 260 MM)



ADDITIONAL INFORMATION

INSTALLATION METHOD

WALL MOUNT

FIXTURE COLOR

WHITE METAL CONSTRUCTION

OPERATION TYPE

COMBO AND REMOTE HEADS OPERATE IN DC MODE

CATALOG #		TYPE
PROJECT		DATE
PREPARED BY		

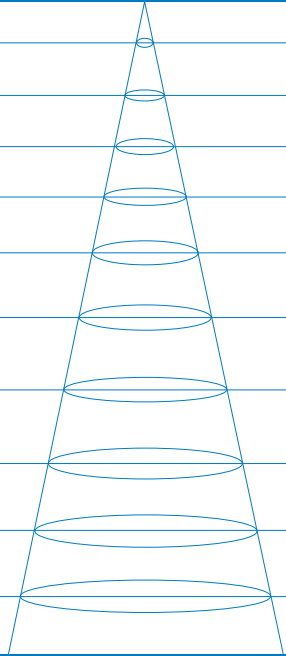
PRODUCT CODE: ER3140D-WHM-A13-BB-10RC

LED METAL EMERGENCY BATTERY UNIT WITH DUAL HEADS

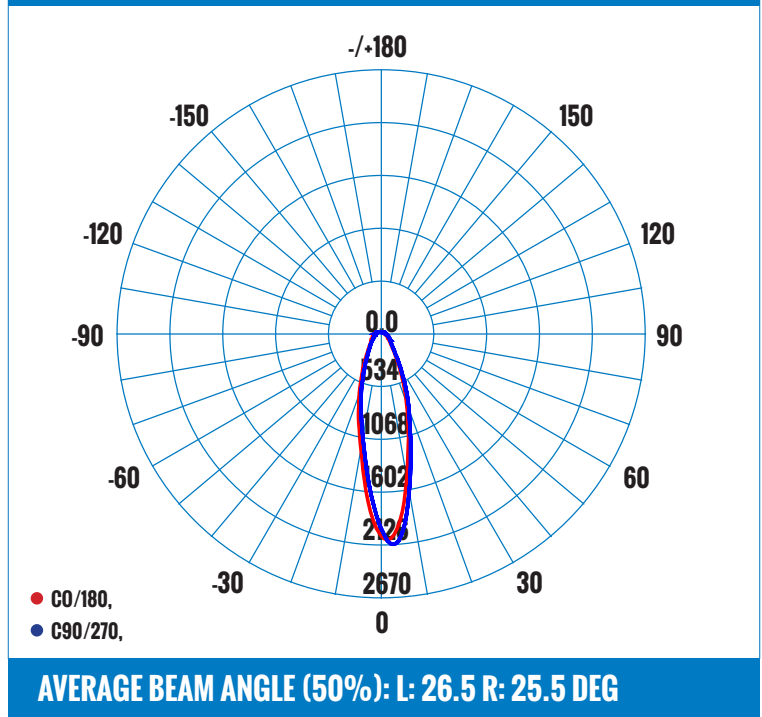


LUMINAIRE PHOTOMETRIC (TEST REPORT)

ILLUMINANCE (AT A DISTANCE) - 932.56 LM

4.92 FT 1.50 M	86.45, 88.19 FC 930.54, 949.27 LX		2.31 FT 0.71 M	
7.38 FT 2.25 M	38.42, 39.20 FC 413.57, 421.90 LX		3.47 FT 1.06 M	
11.48 FT 3.50 M	15.88, 16.20 FC 170.92, 174.36 LX		5.40 FT 1.65 M	
13.12 FT 4.00 M	12.16, 12.40 FC 130.86, 133.49 LX		6.17 FT 1.88 M	
16.40 FT 5.00 M	7.78, 7.94 FC 83.57, 85.43 LX		7.72 FT 2.35 M	
21.33 FT 6.50 M	4.60, 4.70 FC 49.56, 50.55 LX		10.03 FT 3.06 M	
22.97 FT 7.00 M	3.97, 4.05 FC 42.73, 43.59 LX		10.80 FT 3.29 M	
26.25 FT 8.00 M	3.04, 3.10 FC 32.71, 33.37 LX		12.35 FT 3.76 M	
29.53 FT 9.00 M	2.40, 2.45 FC 25.85, 26.37 LX		13.89 FT 4.23 M	
32.81 FT 10.00 M	1.95, 1.98 FC 20.94, 21.36 LX		15.43 FT 4.70 M	
HT	EAVG/EMAX		ANGLE: 0.5DEG	DIA

LUMINOUS INTENSITY DISTRIBUTION DIAGRAM



CERTIFICATIONS

ACCESSORIES



CAN ICES-005 (B) / NMB-005 (B)

**REPLACEMENT BATTERY
LAB-12V-12AH**

ORDERING INFORMATION - ER SERIES

SERIES	WATTAGE	HEADS	COLOR	INPUT VOLTAGE	VOLTAGE	BATTERY	WATTAGE	REMOTE
E.G. ER3	140	D	WHM	A	13	BB	10	RC
ER3 - EMERGENCY	140 - 140W	D - DUAL	WHM - WHITE METAL	A - AC	13 - 120/347V	BB - BATTERY BACKUP	2 X 5W	RC - REMOTE CAPABILITY

Head Office - 1850 Wilson Ave. · Toronto, ON · M9M 1A1 · Tel: 416.741.7336 · Fax: 416.741.9104

Toll Free: in Canada. 1.800.661.9610 · in USA. 1.888.762.5384 (SOCKETS4U)

www.etlin-daniels.com · For sales/service questions - sales@etlin.com