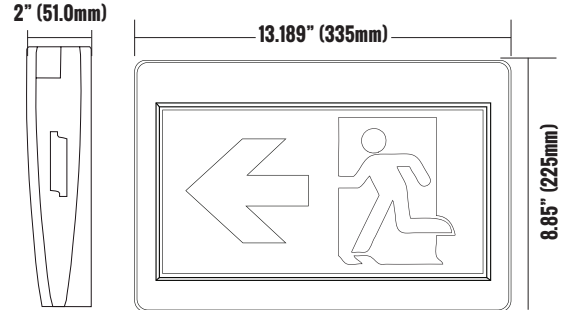


PRODUCT CODE: EX220WH-A13BB-GU
LED RUNNING MAN EXIT SIGN


HOUSING/MOUNTING

The Etlin-Daniels EX220WH A1BB3-GU LED Running Man Exit Sign is constructed of high impact ABS Thermoplastic. The tapered profile design is a compliment to all decors.

The sign components and universal canopy snap together for easy ceiling and wall mount applications. 3 Running Man pictogram legends are included and the housing provides for both single and double sided configurations. Wall mounting is achieved using the spider knockout pattern. LED's operate only in AC mode and Emergency in DC mode. Battery backup >120MIN is provided.


FEATURES

- Compact tapered LED Running Man Exit Sign.
- 3 pictogram legends for directional orientation.
- 120V and 347V dual input operation.
- 3W at 120V // 4W at 347V.
- High quality LED light source evenly distributed on PC cover.
- Push button test switch.
- AC operation with DC Battery Backup.
- >120MIN battery backup with 3.6V 1300mAh Ni-Cad battery.
- 24 hour recharge required after 120 minute discharge.
- Suitable for damp location.
- cCSAus approved.
- 3 year limited warranty.

PRODUCT SPECIFICATIONS (OPTICAL & ELECTRICAL DATA)

LED TYPE	LED QTY	VOLTAGE	POWER FREQUENCY	POWER FACTOR
SMD 2835	16 CHIPS	120V/ 347V	50 / 60 HZ	120V - .92 347V - .92

PRODUCT SPECIFICATIONS (OTHERS)

FIXTURE MATERIAL	LIFE SPAN	STORAGE TEMP	OPERATING TEMP	PRODUCT DIMENSIONS	CARTON SIZE	
ABS THERMOPLASTIC	>50,000 HOURS	-0°C--40°C -32°F--104°F	5°C--30°C +41°F--86°F	13.189 X 2 X 8.85 INCHES WITH CANOPY ADD 1 INCH (335 X 51 X 225 MM WITH CANOPY ADD 25.4 MM)	13.58 X 2.95 X 9.76 INCHES (345 X 75 X 248MM)	

ADDITIONAL INFORMATION

INSTALLATION METHOD	FIXTURE COLOR	OPERATION TYPE
CEILING MOUNT/WALL MOUNT	WHITE WITH GREEN RUNNING MAN PICTOGRAMS	AC // DC EMERGENCY BATTERY BACKUP

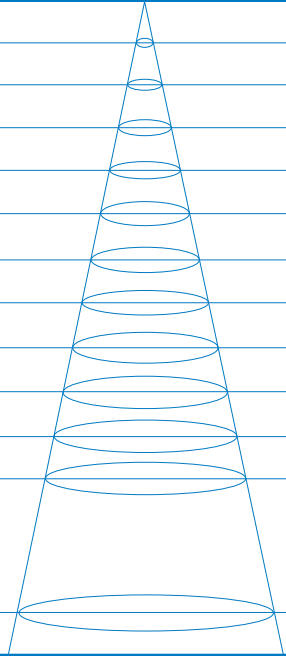
CATALOG #		TYPE
PROJECT		DATE
PREPARED BY		

PRODUCT CODE: EX220WH-A13BB-GU

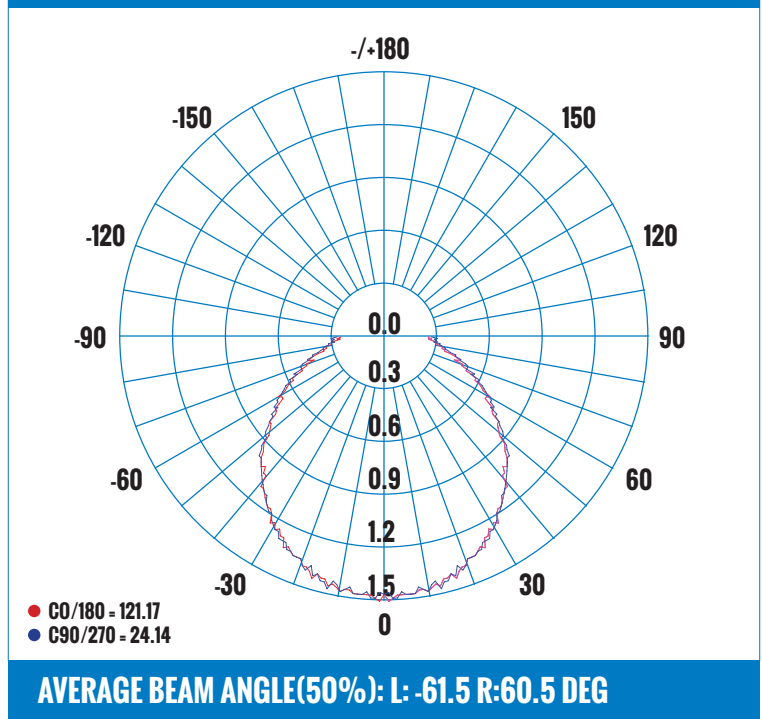
LED RUNNING MAN EXIT SIGN

LUMINAIRE PHOTOMETRIC (TEST REPORT)

ILLUMINANCE (AT A DISTANCE) -

3.28FT 1M	1.44LX		11.83FT 360.81CM
6.56FT 2M	0.36LX		23.675FT 721.62CM
9.84FT 3M	0.16LX		35.51FT 1082.43CM
13.12FT 4M	0.09LX		47.35FT 1443.24CM
16.40FT 5M	0.06LX		59.18FT 1804.05CM
19.69FT 6M	0.04LX		71.02FT 2164.86CM
22.97FT 7M	0.03LX		82.86FT 2525.67CM
26.25FT 8M	0.02LX		94.70FT 2886.48CM
29.52FT 9M	0.02LX		106.53FT 3247.29CM
32.80FT 10M	0.01LX		118.37FT 3608.09CM
36.08FT 11M	0.01LX		130.21FT 3968.90CM
98.42FT 30M	0.0LX		189.40FT 5772.95CM
HT	EAVG/EMAX		ANGLE: 122DEG

LUMINOUS INTENSITY DISTRIBUTION DIAGRAM



CERTIFICATIONS



DRIVER/LED CHIP

SMD

ACCESSORIES

**REPLACEMENT BATTERY
NCB-3.6V-1300mAh**

ORDERING INFORMATION - EX SERIES

SERIES	MODEL	COLOR	INPUT VOLTAGE	VOLTAGE	BATTERY	FACE COLOR	MOUNTING
E.G. EX	220	WH	A	13	BB	G	U
EX - EXIT	220 - MODEL	WH - WHITE	A - AC	13 - 120V/347V	BB - BATTERY BACKUP	G - GREEN	U - UNIVERSAL

Head Office - 1850 Wilson Ave. · Toronto, ON · M9M 1A1 · Tel: 416.741.7336 · Fax: 416.741.9104

Toll Free: in Canada. 1.800.661.9610 · in USA. 1.888.762.5384 (SOCKETS4U)

www.etlin-daniels.com · For sales/service questions - sales@etlin.com