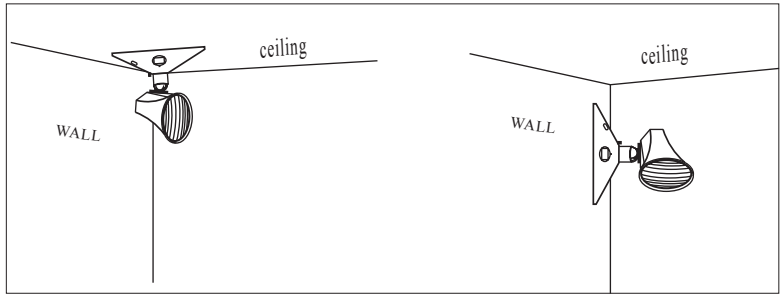


INSTALLATION INSTRUCTIONS FOR ER210 / ER250 / ER270
SAVE THESE INSTRUCTIONS - READ ALL INSTRUCTIONS CAREFULLY

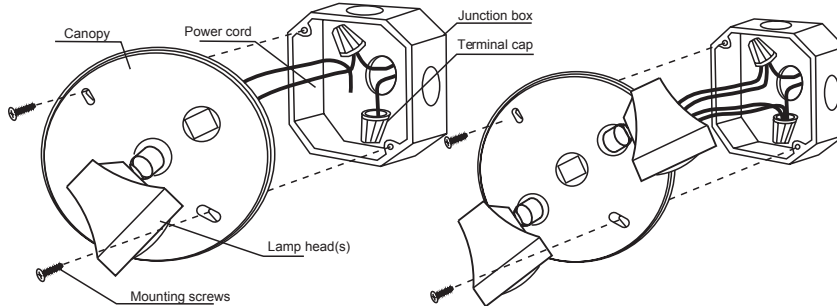
WARNING

READ AND FOLLOW ALL SAFETY INSTRUCTIONS

- Do not let the power cords touch hot surfaces.
- Do not mount in hazardous locations or near gas or electric heaters.
- The use of auxiliary equipment is not recommended by the manufacturer as it may cause unsafe conditions.
- Do not use this equipment for anything but its intended use.
- All electrical connections must be made in accordance with National and Regional electrical codes and performed by a licenced electrician.
- Do not use outdoors.


Installation

1. Make wire connections. Observe polarity. Connect the fixture to the DC supply wires - positive and negative are identified with labels on each wire.
2. Install canopy to junction box with mounting screws (not included).
3. Install the lamp heads gently to not break the arms.
4. Apply power


Head Adjustment

Rotation - to rotate the heads, unscrew the set nut on the back side of the canopy. Tighten the set nut gently to fix the position of the head.

WARNING! Tightening the set nut too tightly can break the head.
To tilt the head(s), hold and tilt up or down to the desired position.

