

## INSTALLATION FOR RTP4 SERIES

SAVE THESE INSTRUCTIONS - READ ALL INSTRUCTIONS CAREFULLY

### WARNING

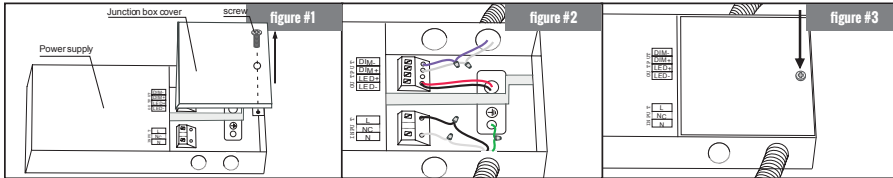


### PLEASE READ ALL INSTRUCTIONS BEFORE ATTEMPTING INSTALLATION.

- To prevent personal injury or product damage only licensed electricians/personnel should install fixture.
- To avoid electric shock or component damage disconnect power before attempting installation or servicing.
- This product must be installed in accordance with the National Electric Code (NEC) and all applicable Federal, State/Provincial and Local Electric Codes and Safety Standards.
- Disconnect fixture and allow cooling prior to servicing.
- Any alteration or modification of this product is expressly forbidden as it may cause serious personal injury, death, property damage and/or product malfunction.
- To prevent product malfunction and/or electrical shock this product must be properly grounded.

**Caution-risk of fire.** Consult a qualified electrician to ensure correct branch circuit conductor. Maximum of 8 No. 12 AWG through branch circuit conductor suitable for 90°C permitted in box. Type IC inherently protected Vapor barrier must be suitable for 90°C, Minimum 90°C supply conductors. Suitable for damp location Access above ceiling required. Suitable for operation in ambient not exceeding 45°C.

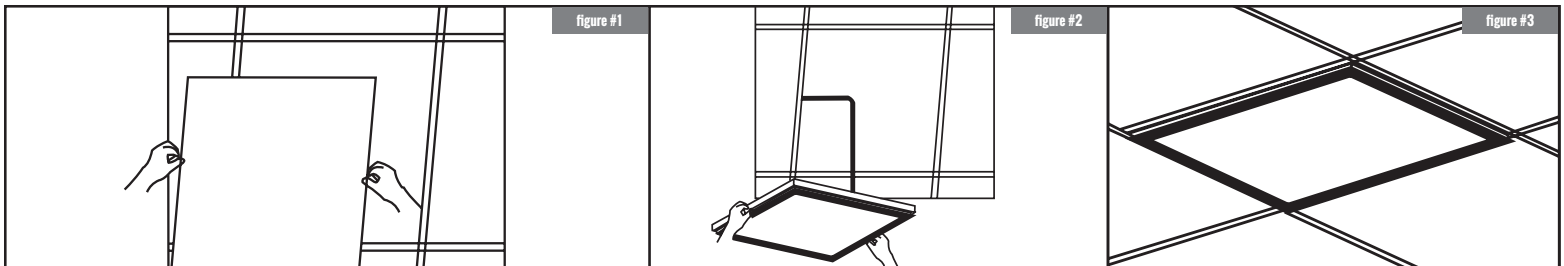
### CONNECTION MODE - DIMMING DRIVER



1. Open the junction box of LED Panel by removing the screw.
2. Connect black, white and green wires into respective terminals. Connect purple (Dim+) and gray (Dim-) into respective dimming terminals
3. Close junction box with screw.

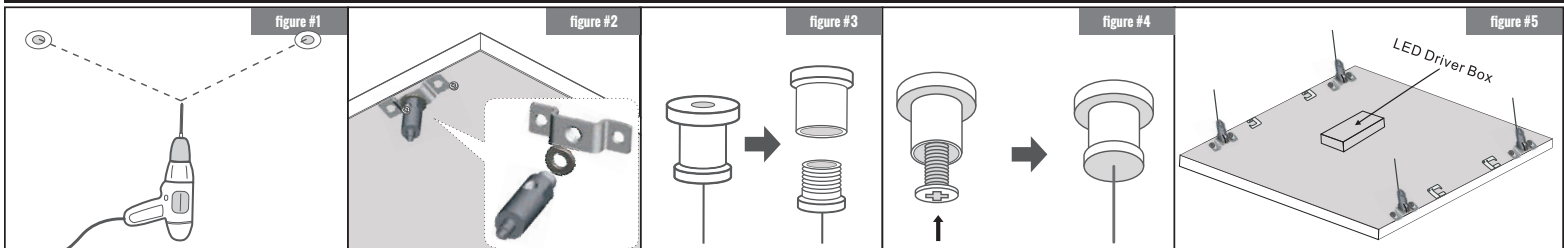
### MOUNTING INSTALLATION INSTRUCTIONS

#### RECESSED MOUNT



1. Bend hanging buckle by 90° positioning it vertical to the rear cover of the panel. Bend top of hang buckles horizontally by 90°.
2. Turn off power and remove old fixture from ceiling.
3. Place the new panel into the ceiling and use the hang buckle to stabilize the panel on the T-Bar. Secure to ceiling with aircraft cable for added safety.

#### SUSPENSION MOUNT



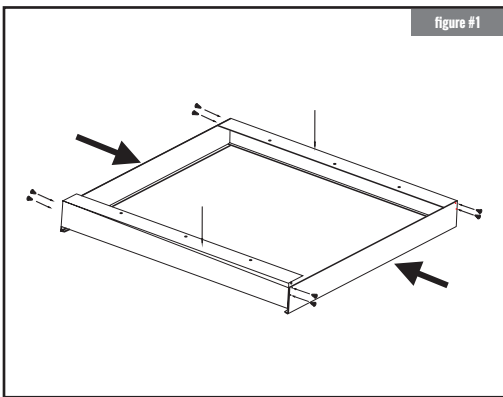
1. According to the width of the panel light, drill 2 mounting holes on the mounting position.
2. Button the panel light with the buckle of the equipped rope.
3. Twist off the rope grab device it into two parts: the upper cover and lower cover
4. Fix the upper cover into prepared mounting holes with self-tapping screws (not included), and then twist on the lower cover
5. Connect LED panel light by the hook of suspension wire

## INSTALLATION FOR RTP4 SERIES

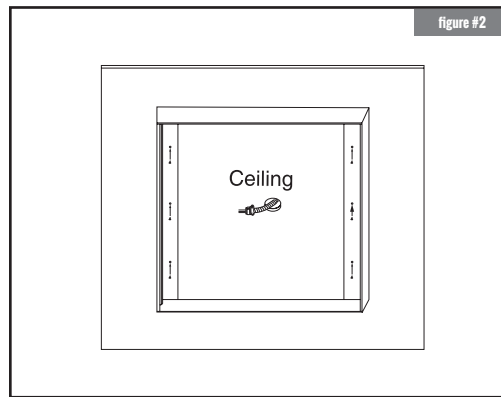
SAVE THESE INSTRUCTIONS - READ ALL INSTRUCTIONS CAREFULLY



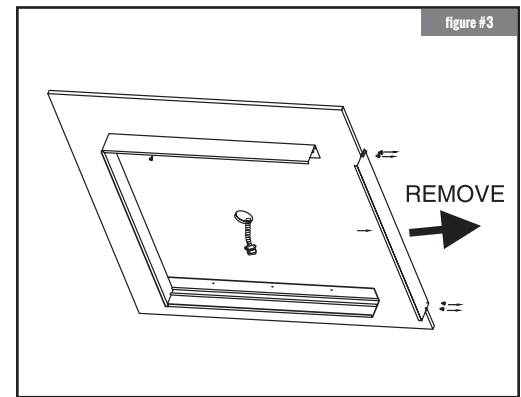
### SURFACE MOUNT



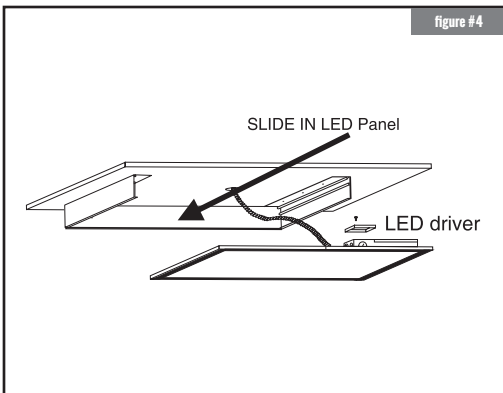
1. Assemble the mounting frame with the 8 screws (included)



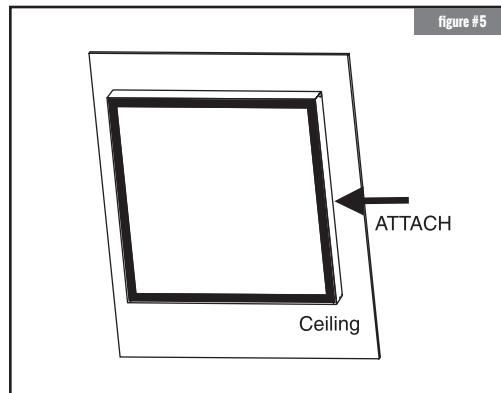
2. Mount the frame on the ceiling with the screws (not included). Make sure that the wire is long enough for Step 4



3. After mounting the frame on ceiling, REMOVE one side of the mounting frame



4. Connect the wires from mains to the LED driver. Then, slide in the LED panel unit to the frame.



5. Put back the side on removed frame.