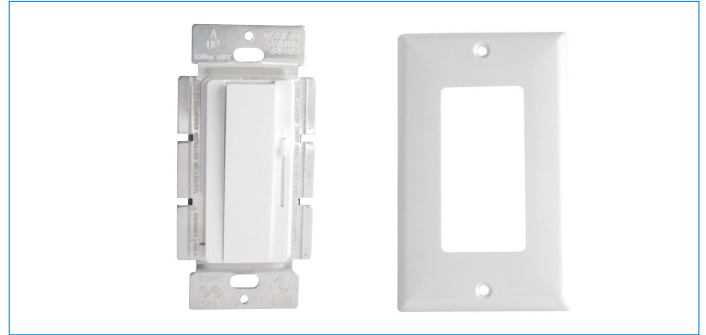
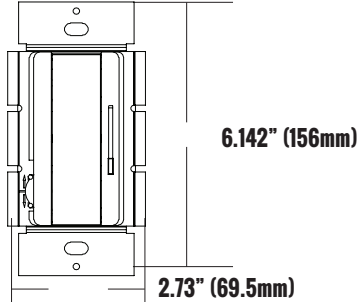


CATALOG #		TYPE
PROJECT		DATE
PREPARED BY		

PRODUCT CODE: DS-1TD-G-WH

decorED LED / CFL / INCANDESCENT SLIDE DIMMER



PRODUCT DESCRIPTION

Etlin-Daniels introduces their new line of **decorED** Designer Switch Plate Dimmers. DS-1TD-G-WH is a three-way dimmer, GFCI, with white wallplate. Designed to smoothly dim all types of dimmable incandescent, halogen, CFL and LED lamps, these high-quality units are the perfect compliment for residential, commercial and hospitality applications.

They are available in white only, with 2 options in both single pole and 3-way.

FEATURES

- Load capacity - LED / CFL - 150W, Incandescent / Halogen - 700W
- 120VAC, 60Hz
- White only
- Face plate supplier with dimmer unit
- Convenient ON/OFF paddle switch with separate slider for dimming control
- High quality finish and components for long-life usage
- For Multi-Gang operation, consult installation Guide
- For operation with LED lamps, and lower dimming levels are required, please use units with Sensitivity controls
- Not compatible with 0-10V / 1-10V LED Drivers.

PRODUCT SPECIFICATIONS

INPUT VOLTAGE	SWITCH TYPE	LOAD REQUIREMENT	POWER FREQUENCY	CERTIFICATIONS
120VAC	THREE-WAY	SINGLE - 120V-600W LED / CFL 150W 2 DIMMERS - 120V-500W LED / CFL 150W 3 DIMMERS - 120V-400W LED / CFL 150W	60HZ	

ADDITIONAL INFORMATION

INSTALLATION METHOD	PRODUCT COLOR	PRODUCT DIMENSIONS	CONTROL TYPE
WALL MOUNT	WHITE	2.73 X 6.142 INCHES (69.5 X 156 MM)	DIMMER SWITCH

CATALOG #		TYPE
PROJECT		DATE
PREPARED BY		

PRODUCT CODE: DS-1TD-G-WH

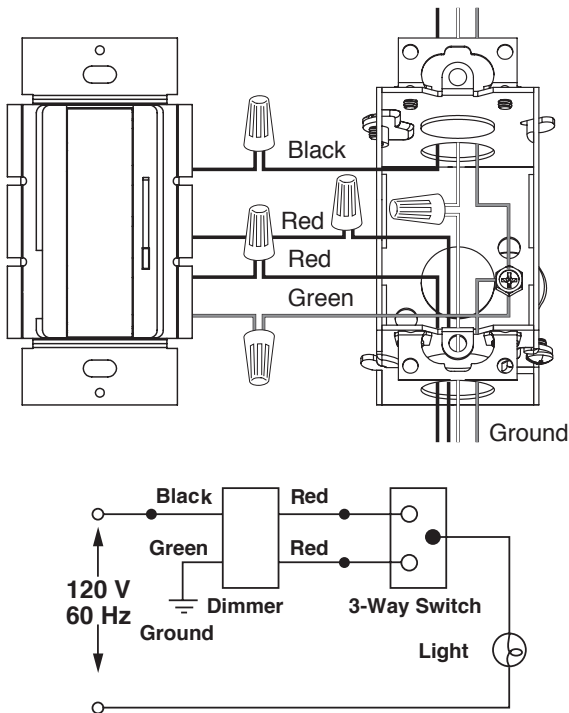
decorED LED / CFL / INCANDESCENT SLIDE DIMMER

MULTIGANG INSTALLATIONS - IN MULTI-DIMMER INSTALLATIONS, THE CAPACITY OF THE DIMMER IS DIFFERENT. REFER TO THE CHART BELOW:

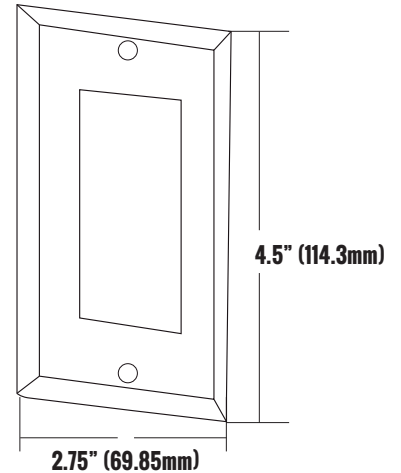
MULTI-DIMMER INSTALLATIONS - MAXIMUM LOAD

Dimmer Model #	Load	Single	2 Dimmers	3 Dimmers
DS-1SD-G-WH	Incand 600W LED/CFL 150W	Incand 600W LED/CFL 150W	Incand 500W LED/CFL 150w	Incand 400W LED/CFL 150W
DS-1SDD-G-WH	Incand 700W LED/CFL 150W	Incand 700W LED/CFL 150W	Incand 600W LED/CFL 150w	Incand 500W LED/CFL 150W
DS-1TD-G-WH	Incand 600W LED/CFL 150W	Incand 600W LED/CFL 150W	Incand 500W LED/CFL 150w	Incand 400W LED/CFL 150W
DS-1TDD-G-WH	Incand 700W LED/CFL 150W	Incand 700W LED/CFL 150W	Incand 600W LED/CFL 150w	Incand 500W LED/CFL 150W

WIRING DIAGRAM: THREE WAY WIRING



ACCESSORIES



decorED

GFCI WALL PLATE, WHITE



decorED

Head Office - 1850 Wilson Ave. · Toronto, ON · M9M 1A1 · Tel: 416.741.7336 · Fax: 416.741.9104

Toll Free: in Canada. 1.800.661.9610 · in USA. 1.888.762.5384 (SOCKETS4U)

www.etlin-daniels.com · For sales/service questions - sales@etlin.com