



INSTALLATION FOR DECORE-D LED / CFL / INCANDESCENT SLIDE DIMMER

SAVE THESE INSTRUCTIONS - READ ALL INSTRUCTIONS CAREFULLY

LED / CFL / INCANDESCENT SLIDE DIMMER

Single Pole or 3-Way // 120VAC, 60Hz

LED / CFL - 150W, Incandescent, Halogen - 600W/700W

DS-1SD-G-WH - Single Pole 
DS-1TD-G-WH - 3-Way
DS-1SDD-G-WH - Single Pole / Sensitivity Knob
DS-1TDD-G-WH - 3-Way / Sensitivity Knob



WARNINGS

PLEASE READ ALL INSTRUCTIONS BEFORE ATTEMPTING INSTALLATION.

- To avoid risk of fire, electrical shock or death, turn power off at the circuit breaker or fuse. Test that power is off before either wiring or performing maintenance.
- Use only with dimmable LED & CFL bulbs, incandescent or halogen bulbs in 120V fixtures only.
- Should be installed or maintained by a certified electrician in accordance with appropriate electrical codes and regulations.
- Do not mix bulb types on the same dimmer. All bulbs should be either CFL, LED or incandescent / halogen.
- Use only one dimmer on a 3-way circuit. To reduce the risk of overheating and possible damage to other equipment, do not install to control a receptacle, a motor-operated appliance, a fluorescent fixture or a transformer supplied appliance.

Multigang Installations

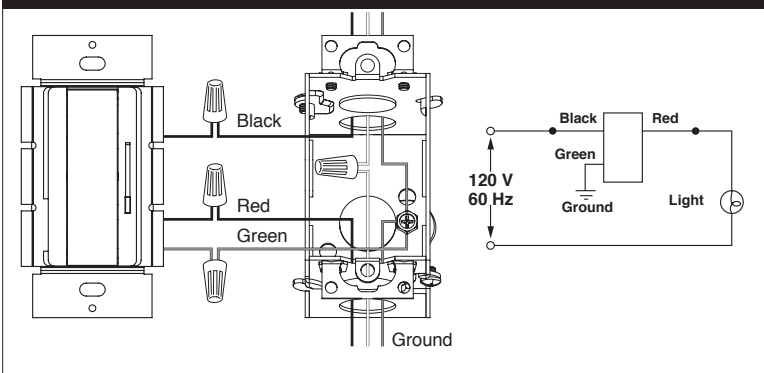
- In multi-dimmer installations, the capacity of the dimmer is different. Refer to the chart below:

MULTI-DIMMER INSTALLATIONS - MAXIMUM LOAD

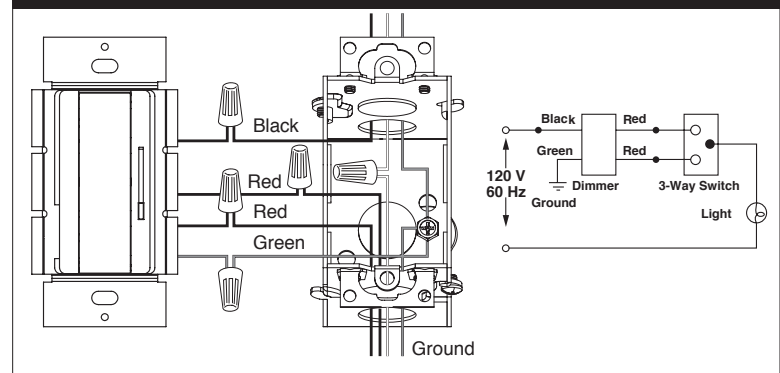
Dimmer Model #	Load	Single	2 Dimmers	3 Dimmers
DS-1SD-G-WH	Incand 600W LED/CFL 150W	Incand 600W LED/CFL 150W	Incand 500W LED/CFL 150w	Incand 400W LED/CFL 150W
DS-1SDD-G-WH	Incand 700W LED/CFL 150W	Incand 700W LED/CFL 150W	Incand 600W LED/CFL 150w	Incand 500W LED/CFL 150W
DS-1TD-G-WH	Incand 600W LED/CFL 150W	Incand 600W LED/CFL 150W	Incand 500W LED/CFL 150w	Incand 400W LED/CFL 150W
DS-1TDD-G-WH	Incand 700W LED/CFL 150W	Incand 700W LED/CFL 150W	Incand 600W LED/CFL 150w	Incand 500W LED/CFL 150W

INSTALLATION - 1. TURN POWER OFF. 2. IDENTIFY THE CIRCUIT & WIRE THE TYPE OF CIRCUIT

SINGLE-POLE WIRING



3-WAY WIRING



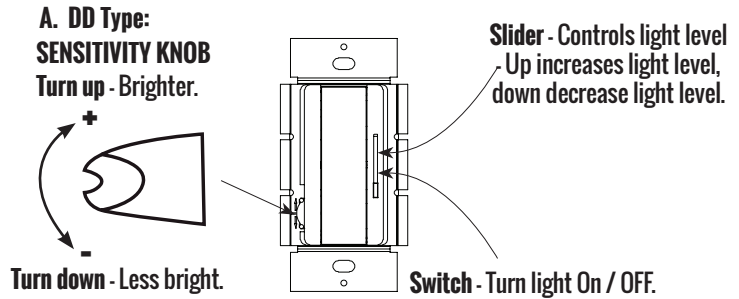


INSTALLATION FOR DECORE-D LED / CFL / INCANDESCENT SLIDE DIMMER

SAVE THESE INSTRUCTIONS - READ ALL INSTRUCTIONS CAREFULLY

3. DIMMING RANGE ADJUSTMENT

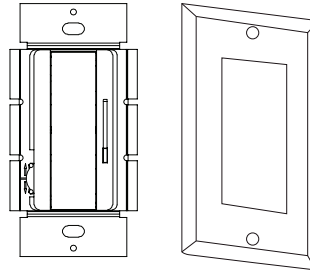
1. Turn dimmer on and move slider down to bottom.
2. Turn knob down until lowest light is achieved and light output is stable for all bulbs.
3. Turn dimmer off, then back on to verify bulbs.
4. Turn knob up lightly and do step 3 again, if all bulbs didn't turn on.
5. Once all bulbs are dimming properly, install faceplate.



IMPORTANT: Set slider to bottom before adjusting Dimming Range. When the slide is at the top, the sensitivity dial will be out of operation.

4. MOUNTING DIMMER TO WALLBOX

1. Push wires carefully into the wallbox. Install Wallplate.



5. TURN POWER ON